

## NX5032SA

For Mobile Communications

### ■ Features

A high precision small surface-mount type crystal unit, suitable for mobile communications such as the base clock of mobile phone handsets.

- Compact and thin. (4.9 × 3.1 × 0.75 mm typ.)
- Frequencies for the base clock source of a variety of mobile phones are available.
- Excellent electrical characteristics and environmental performance, ideal for mobile communication applications.
- Lead-free. Meets the requirements for re-flow profiling using lead-free solder.



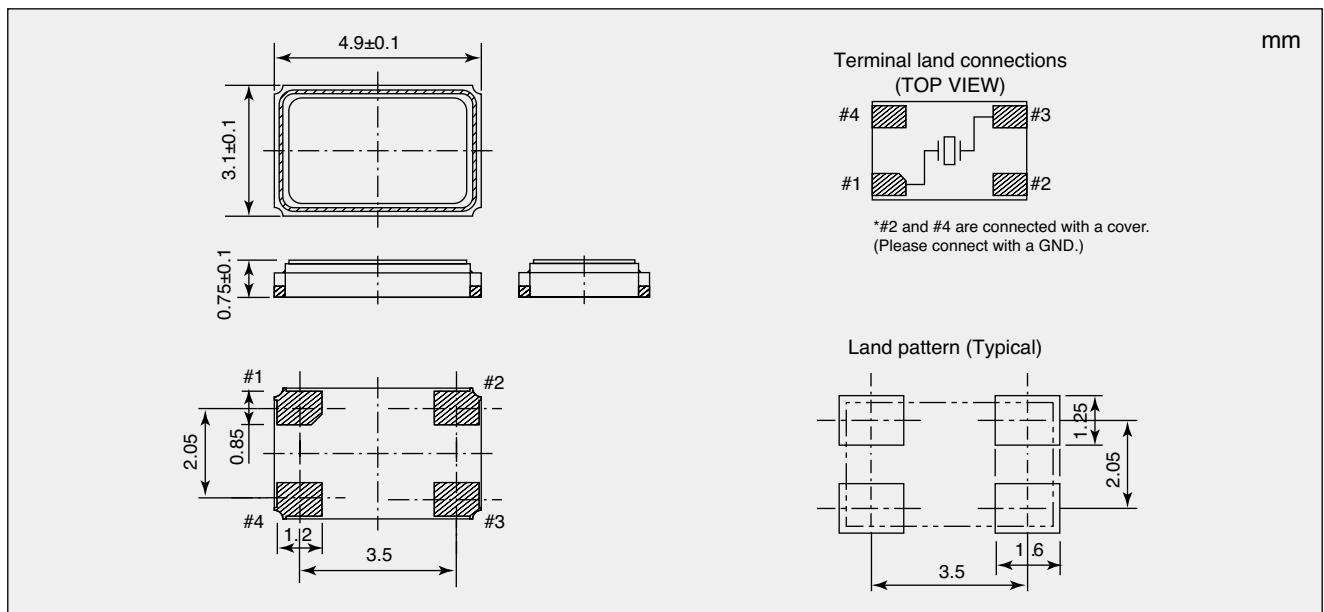
Pb Free

RoHS Compliant  
Directive 2011/65/EU

### ■ Specifications

Item	Model	NX5032SA	
Nominal Frequency		11.0592 to 29.999 MHz	30 to 40 MHz
Overtone Order		Fundamental	
Frequency Tolerance (25 ±3 °C)		±10 × 10 <sup>-6</sup>	
Frequency versus Temperature Characteristics (with reference to +25 °C)		±10 × 10 <sup>-6</sup>	
Operating Temperature Range		-20 to +75 °C	
Storage Temperature Range		-40 to +85 °C	
Equivalent series Resistance		Max. 40 Ω	
Level of Drive		10 μW (Max. 100 μW)	
Load Capacitance		10 pF	
Specifications Number		STD-CSG-1	STD-CSN-1

### ■ Dimensions



Please specify the model name, frequency, and specification number when you order products.  
For further questions regarding specifications, please feel free to contact us.